

SINGER

7037

317161019

LIST OF PARTS

Sewing Machine Model

7037

by **SINGER***



A Publication of Product Support
International Group Engineering

Printed in Taiwan

From the library of: Diamond Needle Corp

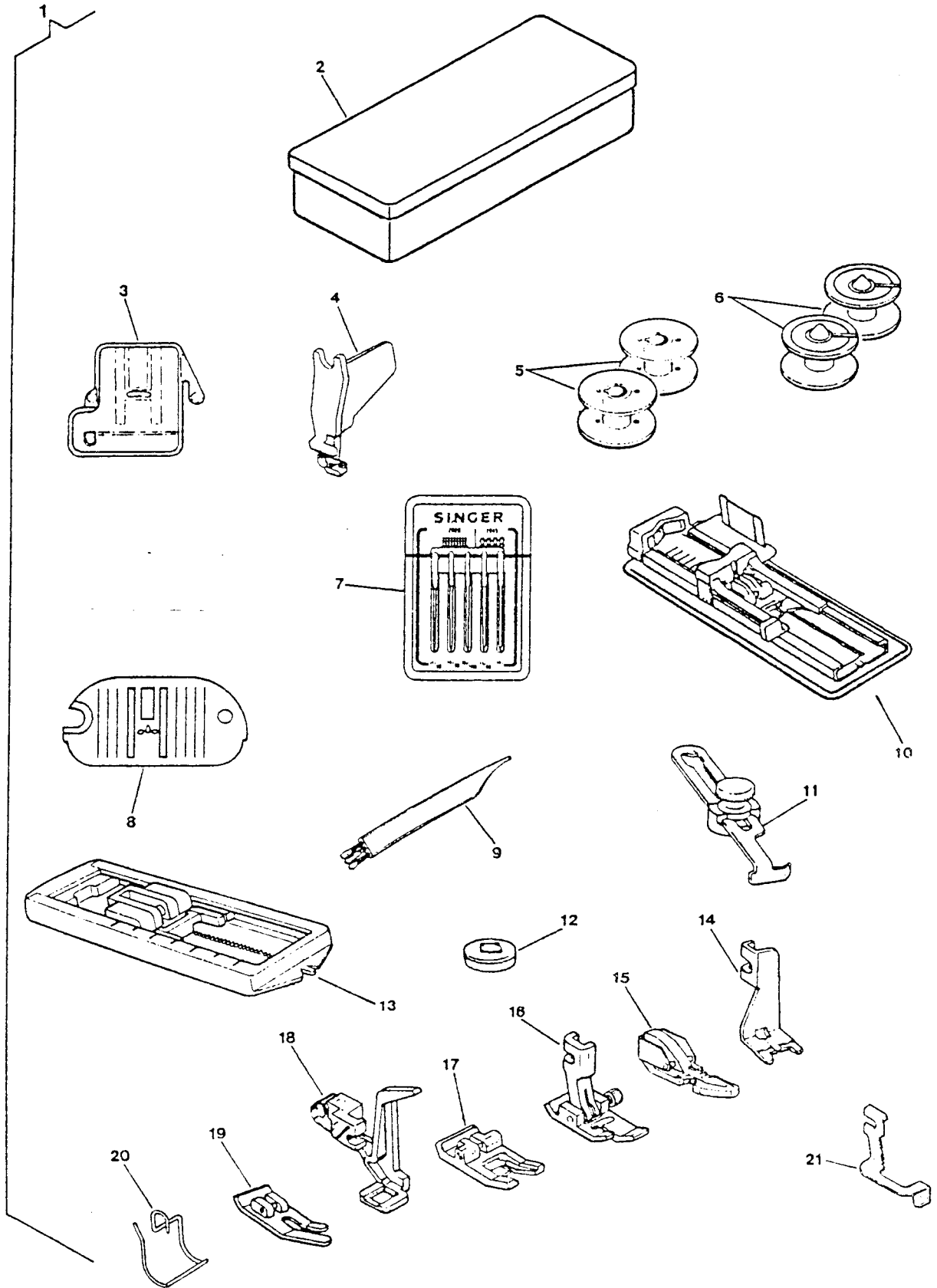
INDEX

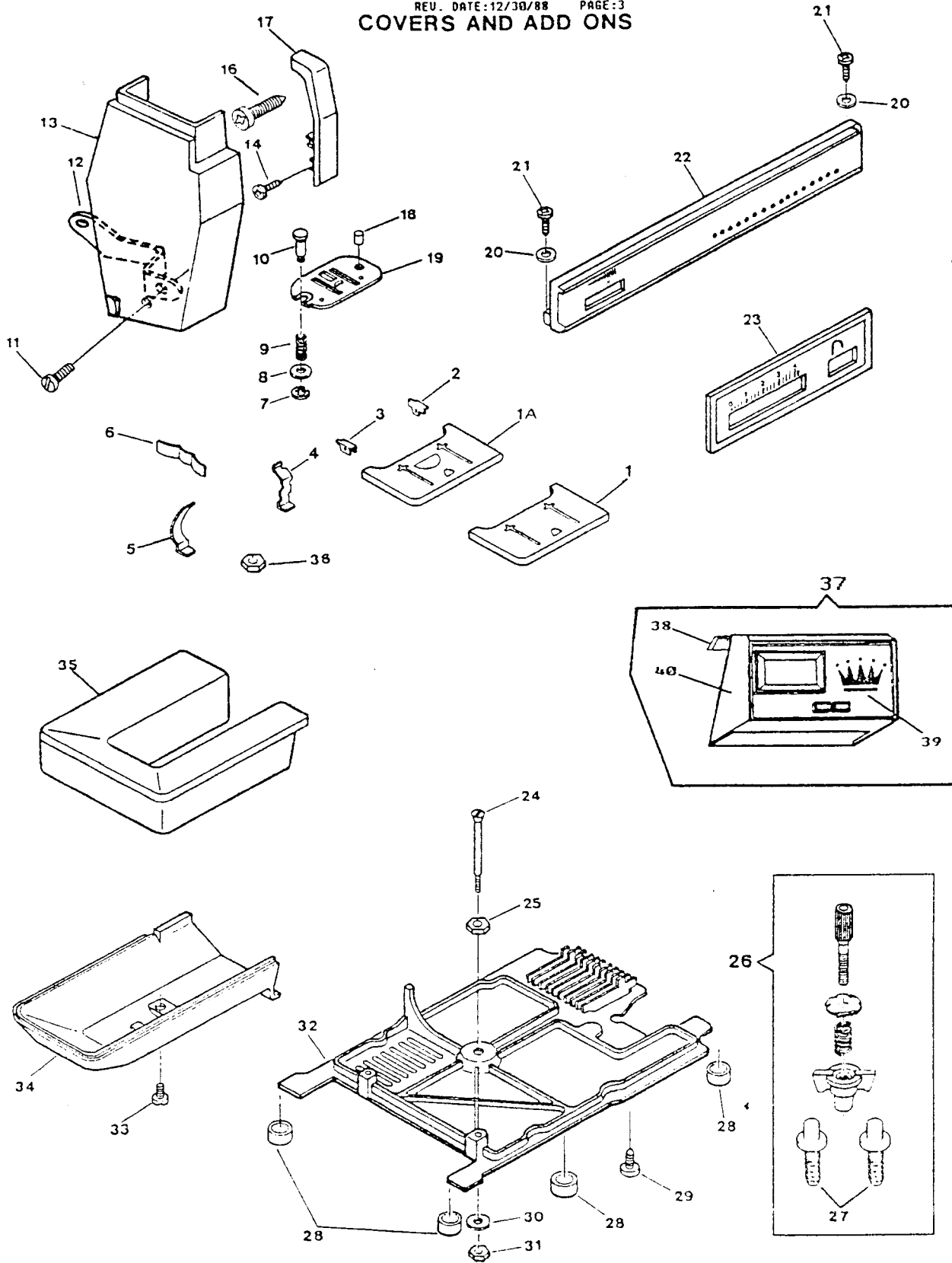
PAGE NO.	SUBASSEMBLY
1, 2	ATTACHMENT SET
3, 4	COVERS AND ADD ONS
5, 8	ARM TOP COVER
9, 10	ARM SHAFT DRIVE SYSTEM
11, 12	HAND WHEEL
13, 14	COAXIAL PRESSER BAR SYSTEM
15, 16	NEEDLE BAR & THREAD TAKE-UP
17, 22	ALPHA FEED
23, 24	HOOK SYSTEM (APOLLO)
25, 26	HOOK AND BOBBIN WINDING SYSTEM (CENTAUR)
27, 32	PATTERN, STITCH LENGTH CONTROL & CAM CONTROLLED FEED
33, 34	DEMAND RESPONSIVE NEEDLE TENSION SYSTEM
35, 38	ELECTRICAL EQUIPMENT

ATTACHMENT SET
MODEL:7037

REF. PART NO. NO.	DESCRIPTION
1 313032-240	ATTACHMENT COMPLETE
3 313117	FEED COVER PLATE
4 503277	NEEDLE THREADER COMPLETE
6 312956	BOBBIN
7 353364	NEEDLE PACK (ALT: 384064)
8 313066	THROAT PLATE FOR STRAIGHT SEWING
9 546358	LINT BRUSH
11 161172	SEAM & BLINDSTITCH HEM GUIDE COMPLETE
12 507664-459	ARM SPOOL PIN THREAD LEAD OFF (SMALL, PLASTIC)
13 313992-451	PRESSER FOOT PLATE (SNAP-ON) FOR SEWING BUTTONHOLES
14 381066	PRESSER FOOT PLATE FOR BUTTON SEWING
15 171480	PRESSER FOOT PLATE (SNAP-ON) FOR CORDING & SLIDE FASTENERS COMPL.
16 381491	BLIND HEM PRESSER HOOT ASSEMBLY
17 171463	SPECIAL PURPOSE PRESSER FOOT PLATE (SNAP-ON)
18 384037	DARNING & EMBROIDERY FOOT COMPLETE (PLASTIC)
19 353628	PRESSER FOOT PLATE (SNAP-ON) FOR STRAIGHT SEWING
19 161919	PRESSER FOOT PLATE (SNAP-ON) FOR STRAIGHT SEWING (ALTERNATE)
20 421588	FINGER GUARD ATTACHED TO PRESSER BAR FOR ITALY AND U.S. SCHOOL MACHINES. IN ACCESSORY BOX FOR FRANCE

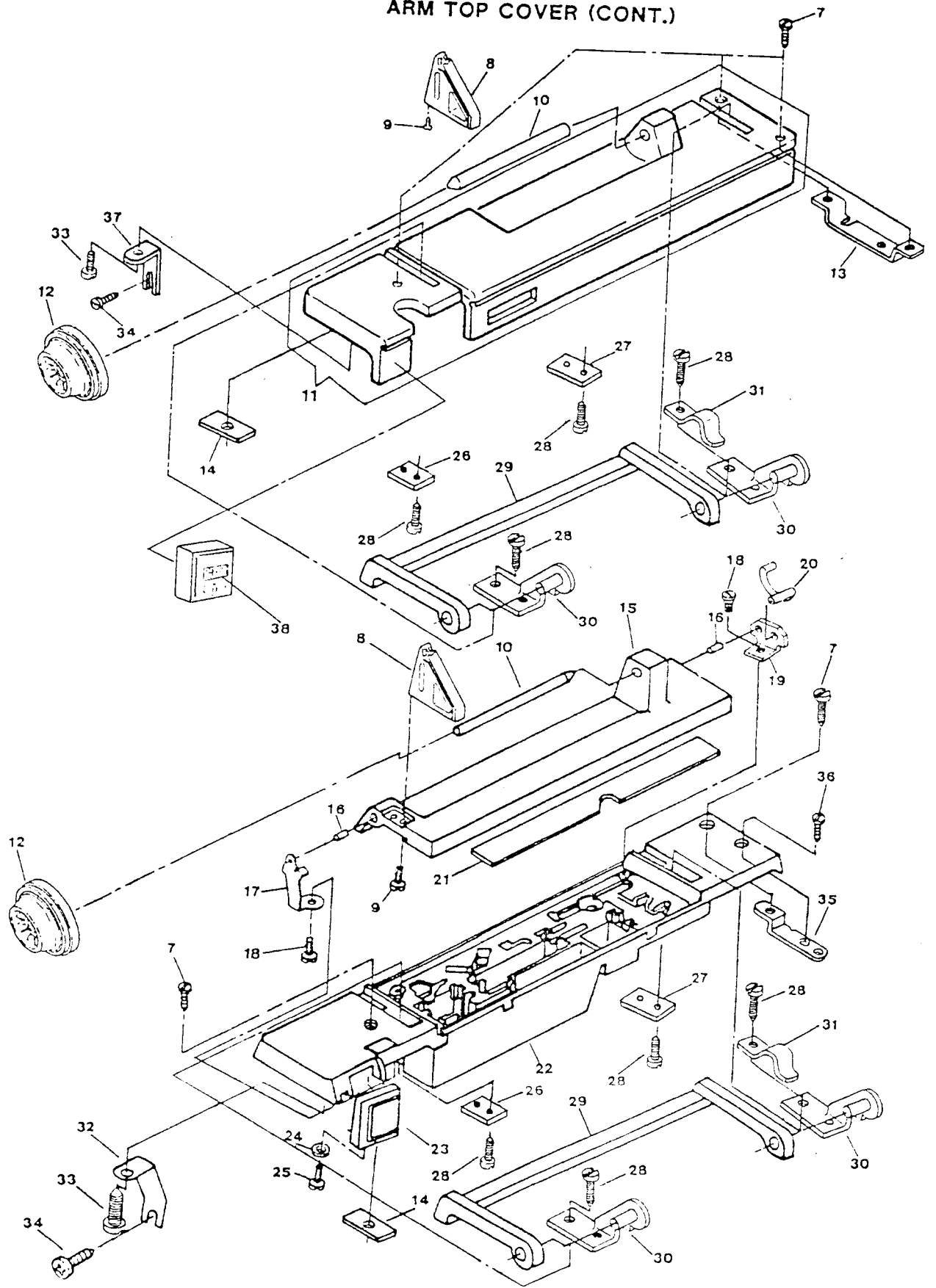
ATTACHMENT SET





COVERS AND ADD ONS
MODEL:7037

REF. NO.	PART NO.	DESCRIPTION
1A	314109	BED SLIDE ASSEMBLY COMPL. ALT:313166
2	312779	BED SLIDE SPRING (RIGHT)
3	313108	BED SLIDE SPRING (LEFT)
6	313118	CLOTH PLATE SPRING
7	313098	THROAT PLATE PLUNGER RETAINING RING
8	549426-451	THROAT PLATE PLUNGER WASEHR
9	312805	THROAT PLATE PLUNGER SPRING
10	312804	THROAT PLATE PLUNGER
11	113521-451	FACE PLATE MOUNTING SCREW
12	314263	FACE PLATE MOUNTING BRACKET
13	314259-451	FACE PLATE COMPLETE
14	113470-003	THREAD TAKE-UP COVER MOUNTING SCREW
16	113455-004	THREAD TAKE-UP COVER MOUNTING SCREW
17	314718-451	THREAD TAKE-UP COVER
18	353624	THROAT PLATE LOCATING PIN
19	312777	THROAT PLATE FOR ZIG ZAG SEWING
20	502495-451	CONTROL PANEL SCREW WASHER
21	113455-001	CONTROL PANEL SCREW
22	317236-001	CONTROL PANEL WITH GRAPHICS ASSEMBLY
23	317238-002	STITCH LENGTH CONTROL PANEL ASSEMBLY
24	313052-451	BOTTOM COVER MOUNTING BOLT
25	313173-451	BOTTOM COVER MOUNTING BOLT MOUNTING NUT
26	313180	MACHINE HOLD DOWN MOUNTING KIT
27	148869	MACHINE LOCATOR PIN
28	313909-451	BED LEG CUSHION
29	113455-002	BED COVER PLATE (BOTTOM) SCREW
30	314712-451	BOTTOM COVER MOUNTING BOLT WASHER
31	313177-452	BOTTOM COVER MOUNTING BOLT MOUNTING NUT
32	312774-001	BED COVER PLATE (BOTTOM)
33	354633-452	BED COVER (TUBULAR) SCREW
34	312773-451	BED COVER TUBULAR
35	313882-451	CLOTH PLATE ASSEMBLY
36	313049	BED INSERT NUT
37	317069-900	CLOCK ASSEMBLY



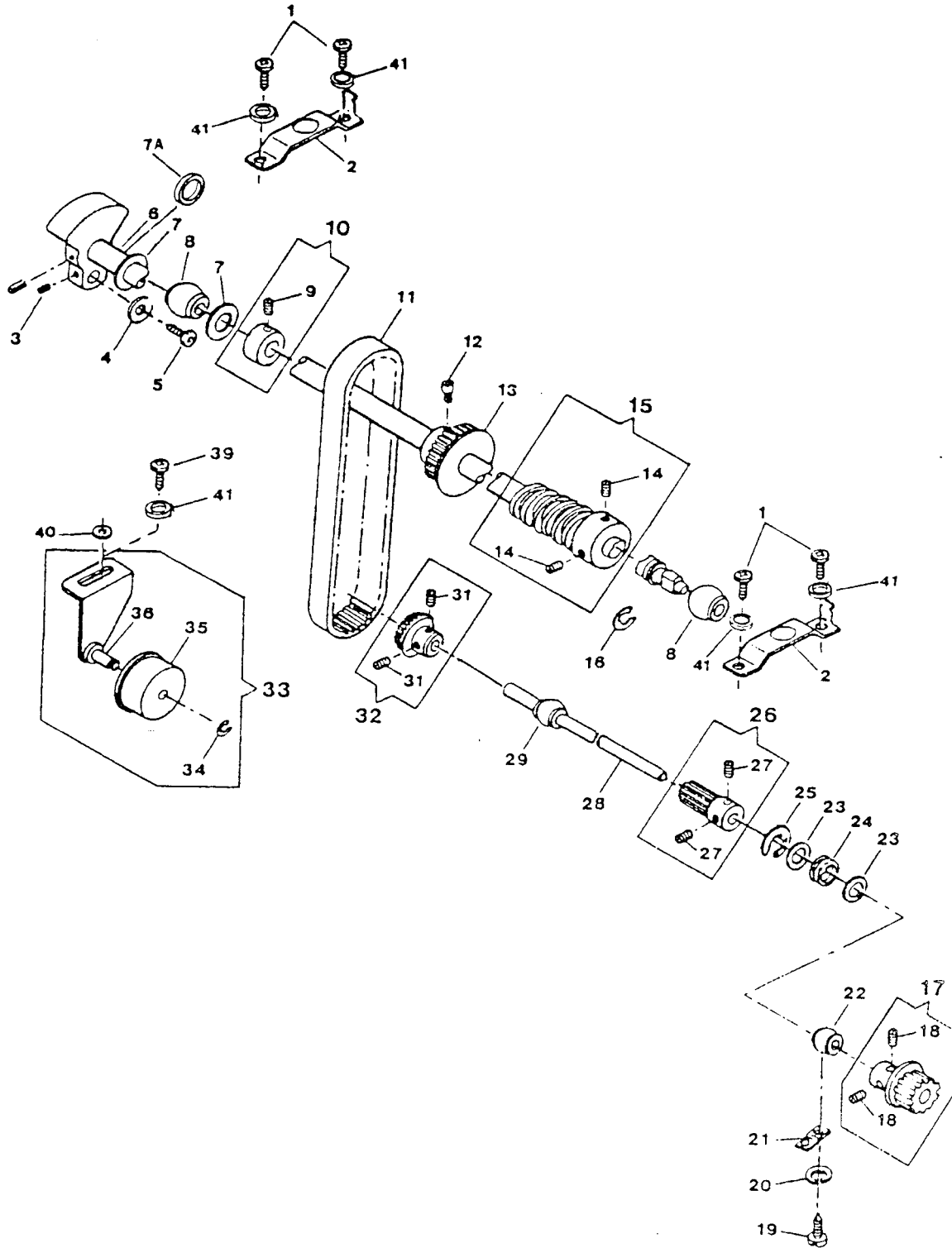
ARM TOP COVER (CONT.)
MODEL: 7037

REF. PART NO.	PART NO.	DESCRIPTION
7	354927-001	ARM TOP COVER MOUNTING SCREW (2)
8	313563-451	ARM TOP COVER THREAD GUIDE ASSEMBLY
9	113501-451	ARM TOP COVER THREAD GUIDE SCREW
10	312940-451	SPOOL PIN (HORIZONTAL)
12	179967-455	SPOOL PIN THREAD LEAD-OFF (MEDIUM & LARGE)
14	312892	ARM TOP COVER MOUNTING PLATE (LEFT)
15	314380-902	ARM TOP COVER LID
16	314478	ARM TOP COVER LID HINGE PIN
17	314618	ARM TOP COVER LID HINGE (LEFT)
18	113445-006	ARM TOP COVER LID HINGE SCREW (2)
19	313213	ARM TOP COVER LID HINGE (RIGHT)
20	313435	ARM TOP COVER LID SPRING
22	314379-900	ARM TOP COVER MOLDED
23	314390-023	CONTROL PANEL EXTENSION ASSEMBLY
24	502495-451	CONTROL PANEL EXTENSION WASHER
25	113455-003	CONTROL PANEL EXTENSION SCREW
26	314561	ARM TOP COVER MACHINE HANDLE HINGE BRACKET NUT PLATE (LEFT)
27	314560	ARM TOP COVER MACHINE HANDLE HINGE BRACKET NUT PLATE (RIGHT)
28	113520-451	ARM TOP COVER MACHINE HANDLE HINGE BRACKET SCREW (RIGHT & LEFT)
29	314384-451	ARM TOP COVER MACHINE HANDLE
30	314386	ARM TOP COVER MACHINE HANDLE HINGE BRACKET COMPLETE (2)
31	314485	ARM TOP COVER MACHINE HANDLE RETAINING SPRING
32	314391	ARM TOP COVER SUPPORT BRACKET (LEFT)
33	113442-002	ARM TOP COVER SUPPORT BRACKET (LEFT) MOUNTING SCREW
34	113516-451	ARM TOP COVER SUPPORT BRACKET (RIGHT) SCREW
35	314387	ARM TOP COVER MOUNTING PLATE (RIGHT)
36	354954-451	ARM TOP COVER MOUNTING SCREW (RIGHT FRONT)

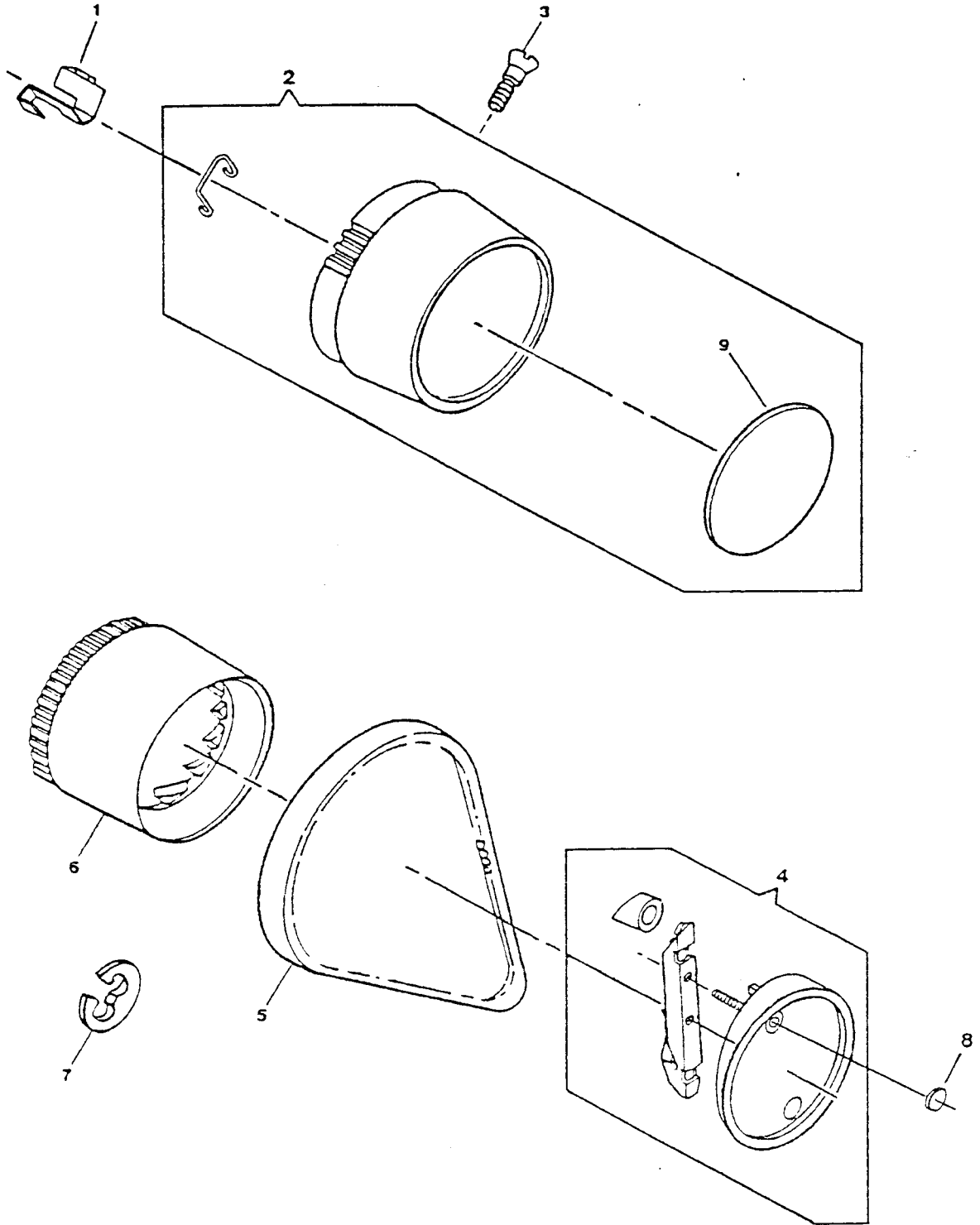
ARM SHAFT DRIVE SYSTEM
MODEL:7037

REF. NO.	PART NO.	DESCRIPTION
1	113455-001	ARM SHAFT (HORIZONTAL) BUSHING (LEFT & RIGHT) CLAMP SCREW
2	312796	ARM SHAFT (HORIZONTAL) BUSHING (LEFT & RIGHT) CLAMP ASSEMBLY
3	113488-451	THREAD TAKE-UP STUD SET SCREW
6	313998	ARM SHAFT (HORIZONTAL) ASSEMBLY
6	313999	ARM SHAFT HORIZONTAL ASSEMBLY (ALTERNATE TO 313998)
7	312620-001	ARM SHAFT (HORIZONTAL) RETAINING COLLAR THRUST WASHER (PLASTIC)
7A	312620-002	ARM SHAFT THRUST WASHER
8	312795	ARM SHAFT (HORIZONTAL) BUSHING (LEFT & RIGHT)
9	544208-001	ARM SHAFT (HORIZONTAL) RETAINING COLLAR SET SCREW
10	312619	ARM SHAFT (HORIZONTAL) RETAINING COLLAR ASSEMBLY
11	603975-011	BELT (ROTATING HOOK DRIVE) ALT:603975-012
12	544212-003	ARM SHAFT (HORIZONTAL) BELT DRIVE PULLEY SCREW
13	314074-901	ARM SHAFT (HORIZONTAL) BELT DRIVE PULLEY (PLASTIC)
14	354591-451	DISC STACK DRIVING WORM GEAR SET SCREW
15	312623	DISC STACK DRIVING WORM GEAR ASSEMBLY
17	314131	ROTATING HOOK DRIVE SHAFT BELT PULLEY ASSEMBLY
18	544098	ROTATING HOOK DRIVE SHAFT BELT PULLEY SET SCREW
19	113445-001	ROTATING HOOK DRIVE SHAFT BUSHING (SELF-ALIGNING) CLAMP SCREW
20	314013-451	ROTATING H. D. SHAFT BUSHING (SELF-ALIGNING) CLAMP SCREW LOCK WASHER
21	313816	ROTATING HOOK DRIVE SHAFT BUSHING (SELF-ALIGNING) CLAMP
22	312700-001	ROTATING HOOK DRIVE SHAFT BUSHING (RIGHT) (SELF-ALIGNING)
23	444900-452	ROTATING HOOK DRIVE SHAFT SPRING WASHER
24	422521	ROTATING HOOK DRIVE SHAFT COMPRESSION SPRING
25	312685	ROTATING HOOK DRIVE SHAFT BEARING RETAINING RING
26	313920	FEED DRIVE SHAFT DRIVING GEAR ASSEMBLY
27	113466-451	FEED DRIVE SHAFT GEAR SET SCREW
28	313936	ROTATING HOOK DRIVE SHAFT
29	312700-002	ROTATING HOOK DRIVE SHAFT BUSHING (LEFT) (SELF-ALIGNING)
31	544208-005	ROTATING HOOK DRIVE SHAFT BEVEL GEAR SET SCREW
32	314011	ROTATING HOOK DRIVE SHAFT BEVEL GEAR ASSEMBLY ALT:314054-900
33	313195	IDLER BRACKET ASSEMBLY
34	313157	BELT IDLER PULLEY RETAINING RING
35	382255	BELT IDLER PULLEY
36	313001	IDLER BRACKET ASSEMBLY
39	113455-002	ROTATING HOOK DRIVING BELT TENSION ADJUSTER SCREW
40	314041-451	ROTATING HOOK DRIVING BELT TENSION ADJUSTER SCREW WASHER
41	314013-451	ARM SHAFT BUSHING (LAMP SCREW WASHER)

ARM SHAFT DRIVE SYSTEM



HAND WHEEL



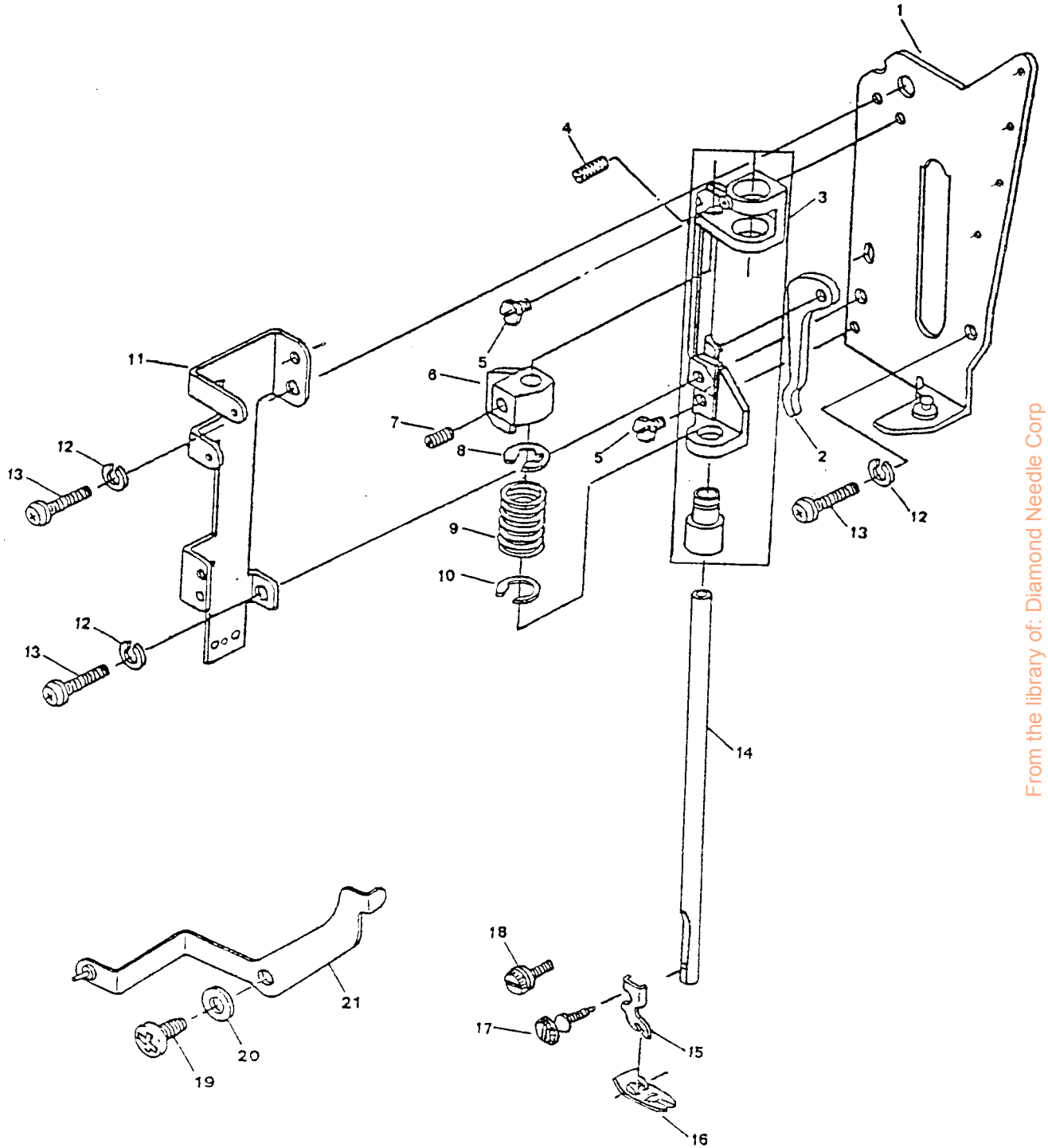
HAND WHEEL
MODEL:7037

REF. NO.	PART NO.	DESCRIPTION
1	314044	HAND WHEEL DRIVE SCREW SUPPORT CLIP
2	312991-459	HAND WHEEL ASSEMBLY
3	113454-451	HAND WHEEL DRIVE SCREW
5	312628-001	BELT (MOTOR DRIVE) ALT: 979285-001
9	314743-906	HAND WHEEL NAME PLATE (CENTAUR)

COAXIAL PRESSER BAR SYSTEM FOR NEW HEAD END
MODEL:7037

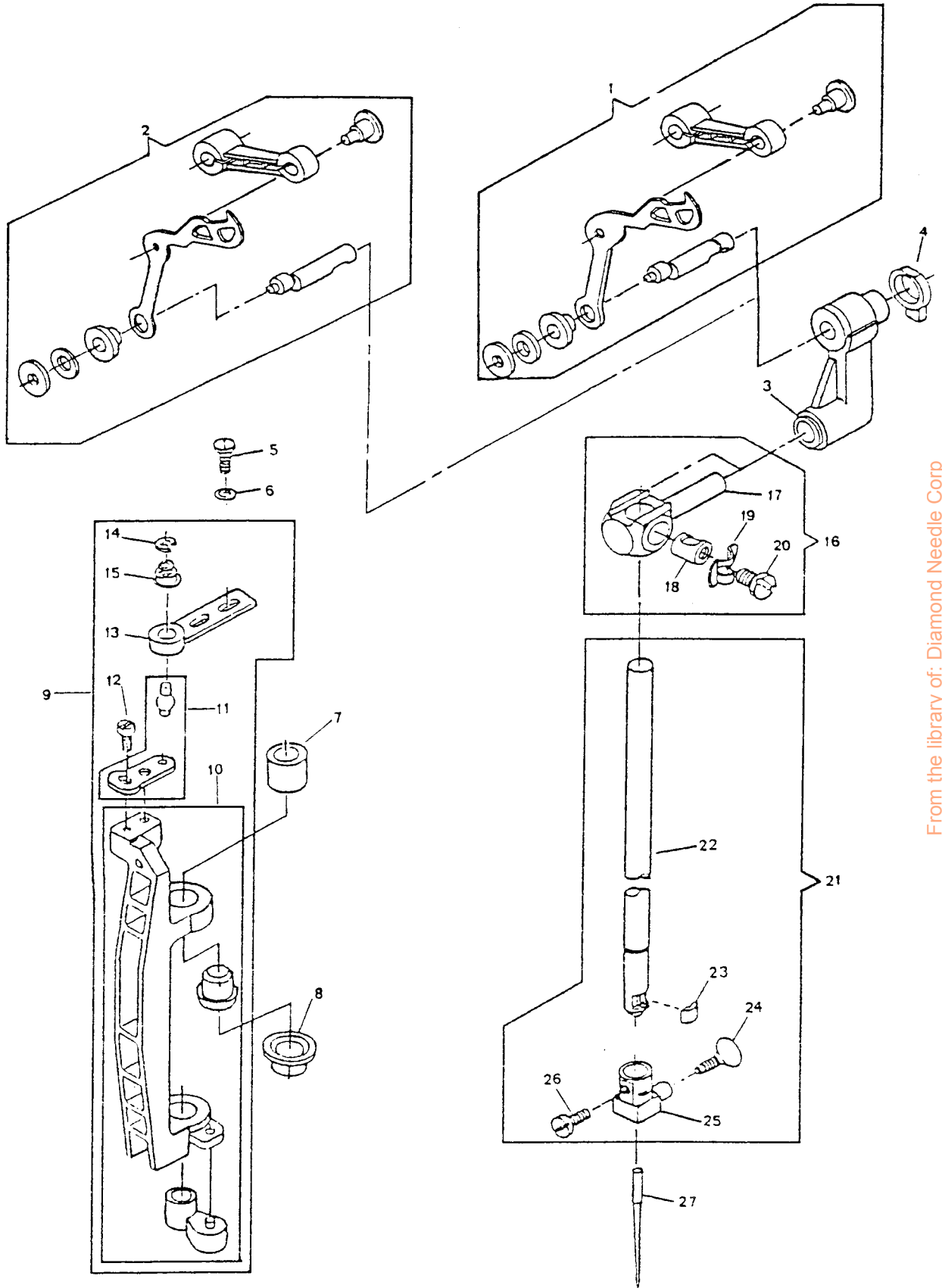
REF. PART NO. NO.	DESCRIPTION
1 314696	HEAD END MOUNTING PLATE ASSEMBLY COMP.
2 314582	PRESSER BAR LIFTER
3 314580	NEEDLE BAR & PRESSER BAR ADJUSTING BRACKET (SUB-ASSEMBLY)
4 544208-001	NEEDLE BAR VIBRATING BRACKET BALL BUSHING (UPPER) ADJUSTER SET SCREW
5 113485-452	NEEDLE BAR PRESSER BAR ADJUSTING BRACKET MOUNTING SCREW
6 314583-901	PRESSER BAR GUIDE BRACKET
7 141936-833	PRESSER BAR GUIDE BRACKET SCREW
8 314584	PRESSER BAR SPRING RETAINING RING (UPPER)
9 353214	PRESSER BAR SPRING
10 314585	PRESSER BAR SPRING RETAINING RING (LOWER)
11 314591	FACE PLATE MOUNTING BRACKET
12 313955-451	HEAD END MOUNTING PLATE LOCK WASHER
13 113455-012	HEAD END MOUNTING PLATE SCREW
14 314581	PRESSER BAR
15 163706-451	PRESSER FOOT SHANK (SNAP-ON)
16 313150	PRESSER FOOT PLATE (SNAP-ON) FOR ZIG-ZAG SEWING
18 314627-451	PRESSER FOOT THUMB SCREW & BOBBIN WINDER THREAD HOLDER
19 113455-001	NEEDLE THREAD TENSION RELEASE LEVER HINGE SCREW
20 314041-451	NEEDLE THREAD TENSION RELEASE LEVER RETAINING WASHER
21 314589	NEEDLE THREAD TENSION RELEASE LEVER ASSEMBLY

COAXIAL PRESSER BAR SYSTEM



From the library of: Diamond Needle Corp

NEEDLE BAR AND THREAD TAKE-UP



From the library of: Diamond Needle Corp

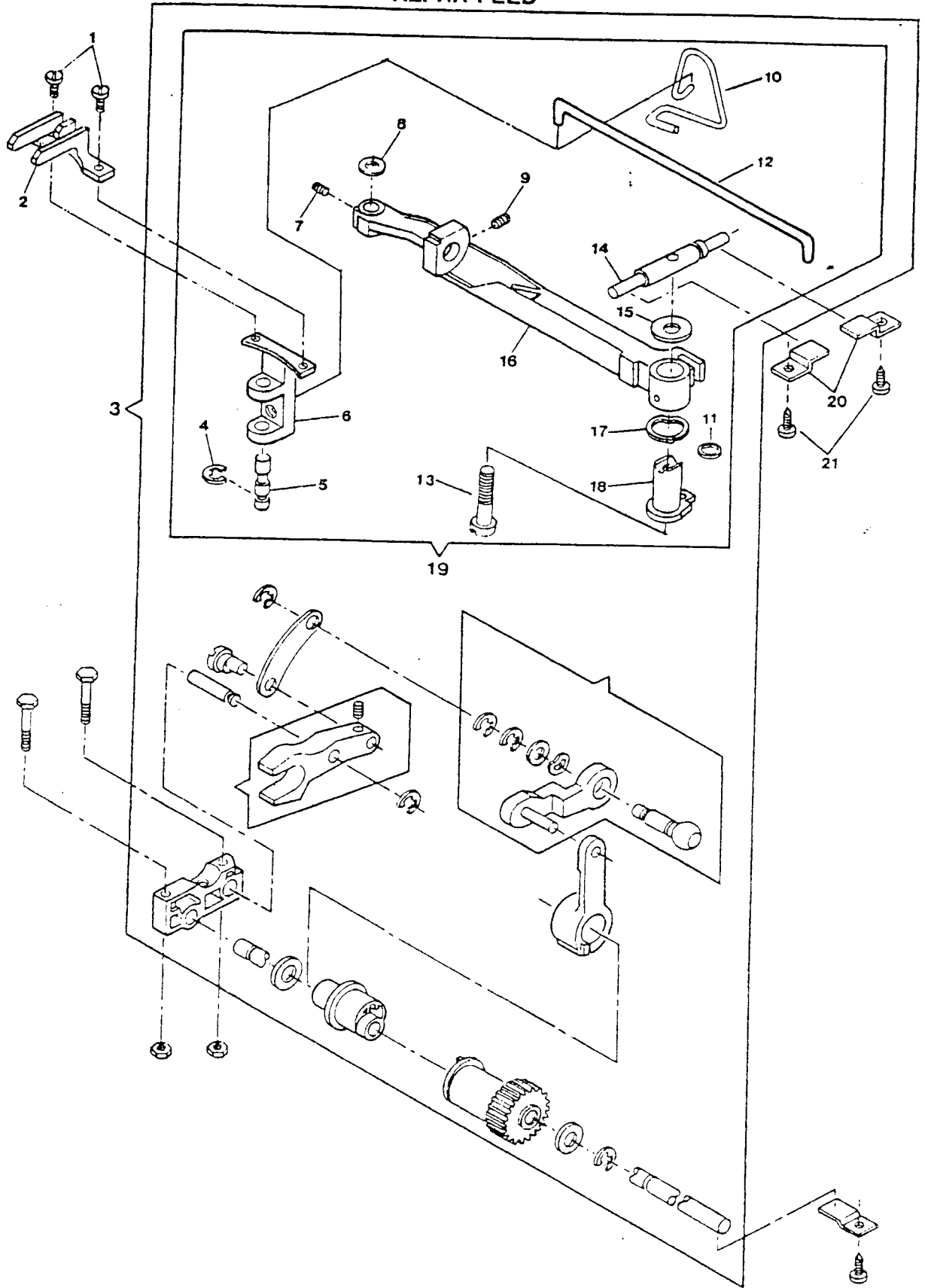
NEEDLE BAR & THREAD TAKE-UP FOR NEW HEAD END
MODEL:7037

REF. PART NO.	PART NO.	DESCRIPTION
2	314699	THREAD TAKE-UP COMPLETE (CENTAUR)
3	313533	NEEDLE BAR CONNECTING LINK ASSEMBLY
4	314146	NEEDLE BAR CONNECTING LINK SPACER
5	113408-001	NEEDLE BAR DRIVING ARM BALL JOINT SCREW
6	931929-004	NEEDLE BAR DRIVING ARM BALL JOINT SCREW WASHER
7	314574	NEEDLE BAR VIBRATING BRACKET BUSHING (UPPER)
8	314573	NEEDLE BAR BALL BUSHING SOCKET (LOWER)
9	314569	NEEDLE BAR VIBRATING BRACKET ASSEMBLY
10	314614	NEEDLE BAR VIBRATING BRACKET SUB-ASSEMBLY
11	314570	NEEDLE BAR VIBRATING BRACKET STUD PLATE ASSEMBLY
12	141920-451	NEEDLE BAR VIBRATING BRACKET STUD PLATE ASSEMBLY MOUNTING SCREW
13	312839	NEEDLE BAR DRIVING ARM BALL JOINT
14	312702	NEEDLE BAR DRIVING ARM BALL JOINT RETAINING RING
15	382602	NEEDLE BAR DRIVING ARM BALL JOINT SPRING
16	313191	NEEDLE BAR CONNECTING STUD SUB-ASSEMBLY
17	312751	NEEDLE BAR CONNECTING STUD
18	312769	NEEDLE BAR CONNECTING STUD HINGE PIN
19	384000	NEEDLE BAR CONNECTING STUD HINGE PIN FRICTION WASHER
20	354972-451	NEEDLE BAR CLAMPING & GUIDE SCREW
21	313192	NEEDLE BAR SUB-ASSEMBLY
22	313553	NEEDLE BAR
23	313552	NEEDLE BAR GIB
24	354898-451	NEEDLE THUMB SCREW
25	313798	NEEDLE CLAMP BODY
26	141920-454	NEEDLE CLAMP BODY NEEDLE CLAMP THREAD GUIDE & NEEDLE STOP SCREW
27	N2045	NEEDLE SIZE NO. 14 (IN MACHINE)

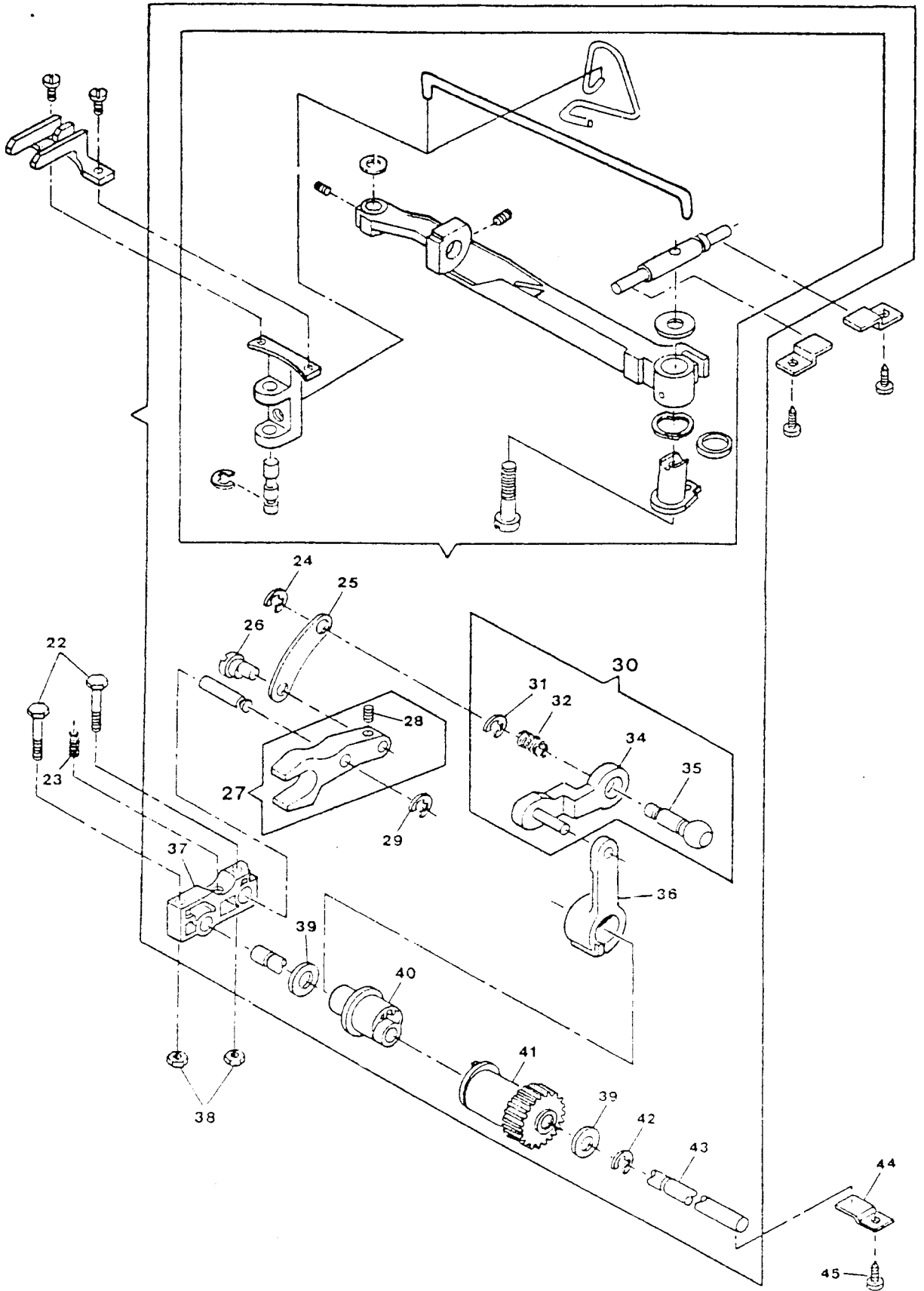
ALPHA FEED
MODEL:7037

REF. NO.	PART NO.	DESCRIPTION
1	141920-452	FEED DOG SCREW
2	313021	FEED DOG (ZINC) (CENTAUR)
3	314140-001	ALPHA FEED MODULE
4	511213	FEED DOG HOLDER STUD RETAINING RING
5	511052	FEED DOG HOLDER STUD
6	422334-902	FEED DOG HOLDER (MACHINED)
7	544100	FEED DOG HOLDER STUD SCREW
8	511210	FEED DOG HOLDER WASHER
9	354983-451	FEED BAR CONNECT'G & FEED LIFT'G FORK CONNECT'G HINGE STUD (ECCENTRIC) SET SCREW (ALT: 354420-451)
10	422561	FEED DOG HOLDER COMPENSATING LINK RETAINING SPRING (FRONT)
11	422337	FEED DOG HOLDER COMPENSATING LINK RETAINING SPRING (BACK)
12	422335-001	FEED DOG HOLDER COMPENSATING LINK
13	514744-451	FEED BAR PIVOT HINGE STUD LOCK SCREW
14	314142	FEED BAR PIVOT HINGE STUD PIN
15	422338	FEED BAR HINGE PIN WASHER
16	422333-902	FEED BAR
17	511211	FEED BAR GUIDE HINGE PIN SPRING WASHER
18	422340-001	FEED BAR PIVOT HINGE STUD
19	314141	FEED BAR ASSEMBLY
20	312851	FEED BAR PIVOT HINGE STUD CLAMP
21	113455-003	FEED BAR PIVOT HINGE STUD CLAMP SCREW

ALPHA FEED



ALPHA FEED (CONT.)



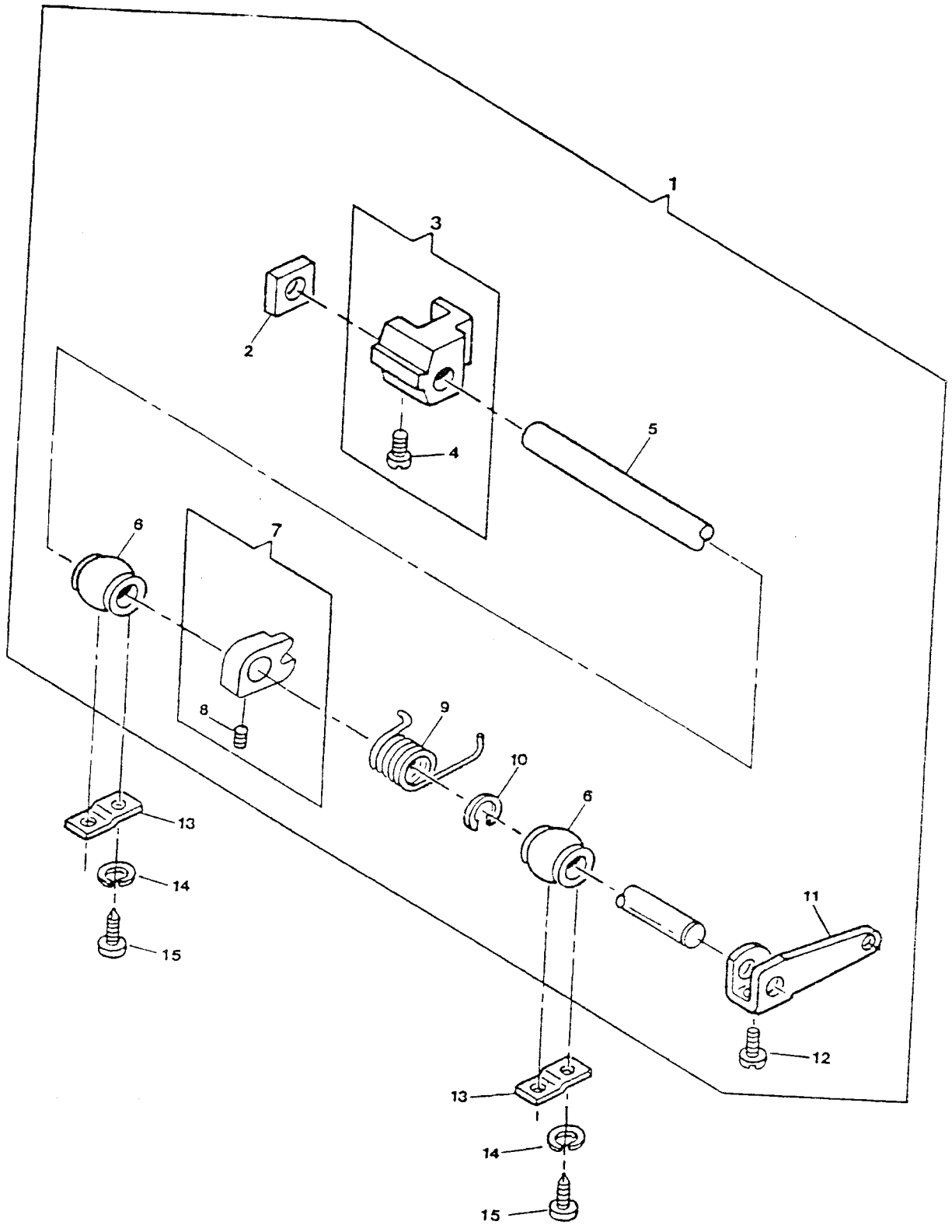
ALPHA FEED (CONT.)
MODEL:7037

REF. NO.	PART NO.	DESCRIPTION
22	354921-451	FEED & ROTATING HOOK DRIVE SHAFT BEARING BLOCK MOUNTING SCREW
23	314070	ROTATING HOOK DRIVE SHAFT BUSHING SPRING
24	312686	FEED LIFTING FORK CONNECTING RETAINING RING
25	511016	FEED LIFTING FORK CONNECTION
26	511056	FEED LIFTING FORK CONNECTING HINGE STUD (ECCENTRIC)
27	503325-002	FEED LIFTING FORK COMPL.
28	514685-451	FEED LIFTING FORK CONNECTING HINGE STUD (ECCENTRIC) SET SCREW
29	312685	FEED & ROTATING HOOK DRIVE SHAFT BEARING BLOCK STUD RETAINING RING
30	313910	FEED BAR CONNECTION ASSEMBLY COMPLETE
31	312685	FEED BAR CONNECTION AND FEED LIFTING FORK CONNECTION HINGE STUD (ECCENTRIC) RETAINING RING
32	314030	FEED BAR CONNECTION SPRING
34	313130	FEED BAR CONNECTION ASSEMBLY
35	313456	FEED BAR CONNECTION AND FEED LIFTING FORK CONNECTION HINGE STUD (ECCENTRIC) ALT: 312852
36	312872-900	FEED REGULATOR SLIDE BLOCK DRIVE CONNECTION
37	312864	FEED & ROTATING HOOK DRIVE SHAFT BEARING BLOCK ASSEMBLY
38	514674-451	FEED & ROTATING HOOK DRIVE SHAFT BEARING BLOCK MOUNTING SCREW NUT
39	312879-451	FEED DRIVE SHAFT GEAR WASHER
40	312870	FEED LIFTING CAM & FEED ECCENTRIC (CENTAUR)
41	312902	FEED DRIVE SHAFT GEAR (PLASTIC)
42	312686	FEED DRIVE SHAFT GEAR RETAINING RING
43	312862-900	FEED DRIVE SHAFT
44	312851	FEED DRIVE SHAFT CLAMP
45	113455-003	FEED DRIVE SHAFT CLAMP SCREW

ALPHA FEED (CONT.)
MODEL:7037

REF. NO.	PART NO.	DESCRIPTION
1	313133	FEED REGULATOR SHAFT ASSEMBLY
2	511030	FEED REGULATOR SLIDE BLOCK
3	312874	FEED REGULATOR COMPL.
4	113515-451	FEED REGULATOR SCREW
5	314173	FEED REGULATOR SHAFT
6	312700-002	FEED REGULATOR SHAFT BUSHING (SELF-ALIGNING)
7	314175	FEED REGULATOR SHAFT TENSION SPRING ADJUSTING COLLAR ASSEMBLY
8	544207-001	FEED REGULATOR SHAFT TENSION SPRING ADJUSTING COLLAR SCREW
9	314172	FEED REGULATOR SHAFT TENSION SPRING
10	312875	FEED REGULATOR SHAFT RETAINING RING
11	312801	STITCH LENGTH CONTROL CRANK
12	354922-451	STITCH LENGTH CONTROL CRANK SCREW
13	313816	FEED REGULATOR SHAFT BUSHING (SELF-ALIGNING) CLAMP
14	314013-451	FEED REGULATOR SHAFT BUSHING (SELF-ALIGNING) CLAMP SCREW LOCK WASHER
15	113455-001	FEED REGULATOR SHAFT BUSHING (SELF-ALIGNING) CLAMP SCREW

ALPHA FEED (CONT.)

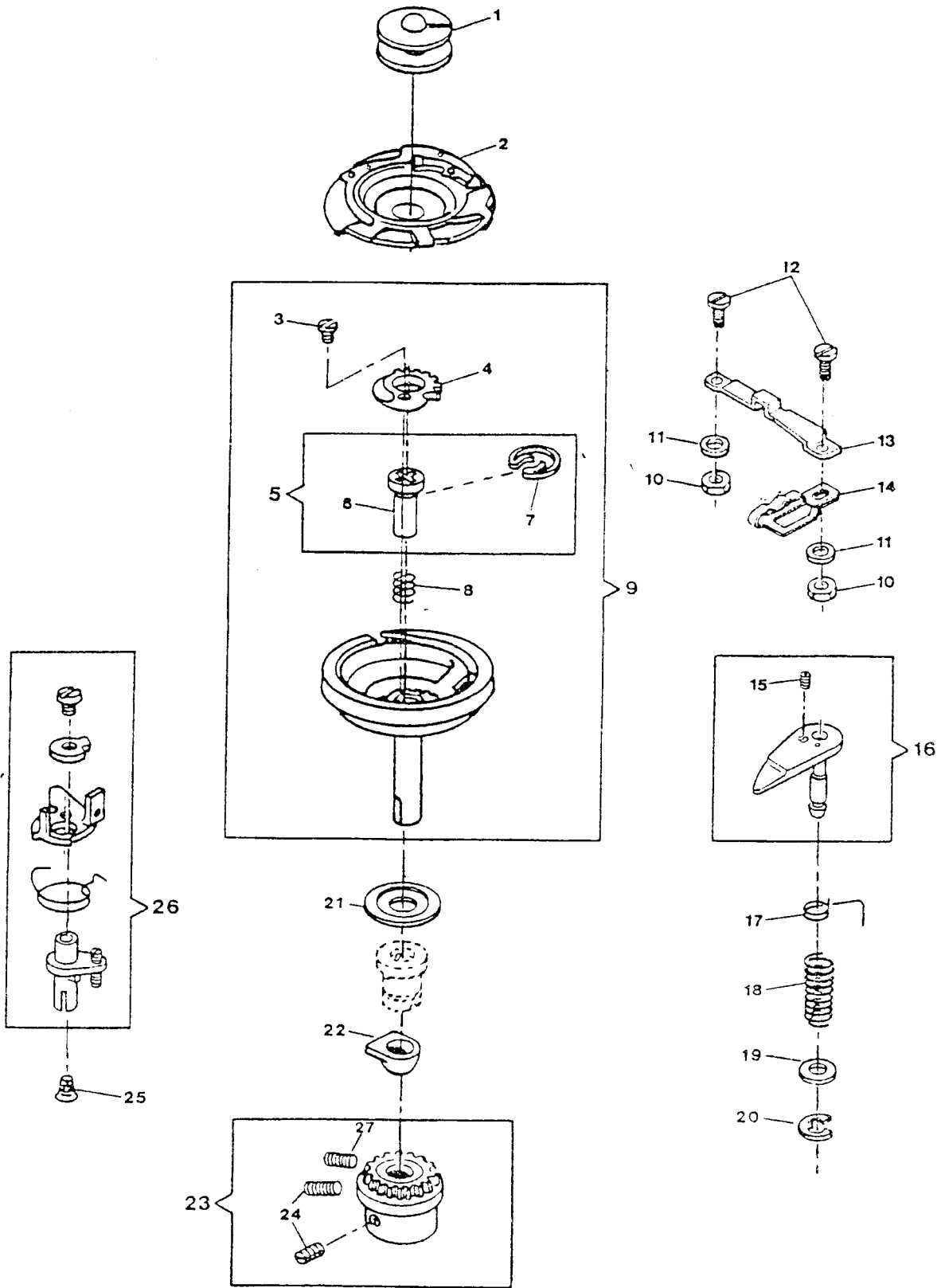


From the library of: Diamond Needle Corp

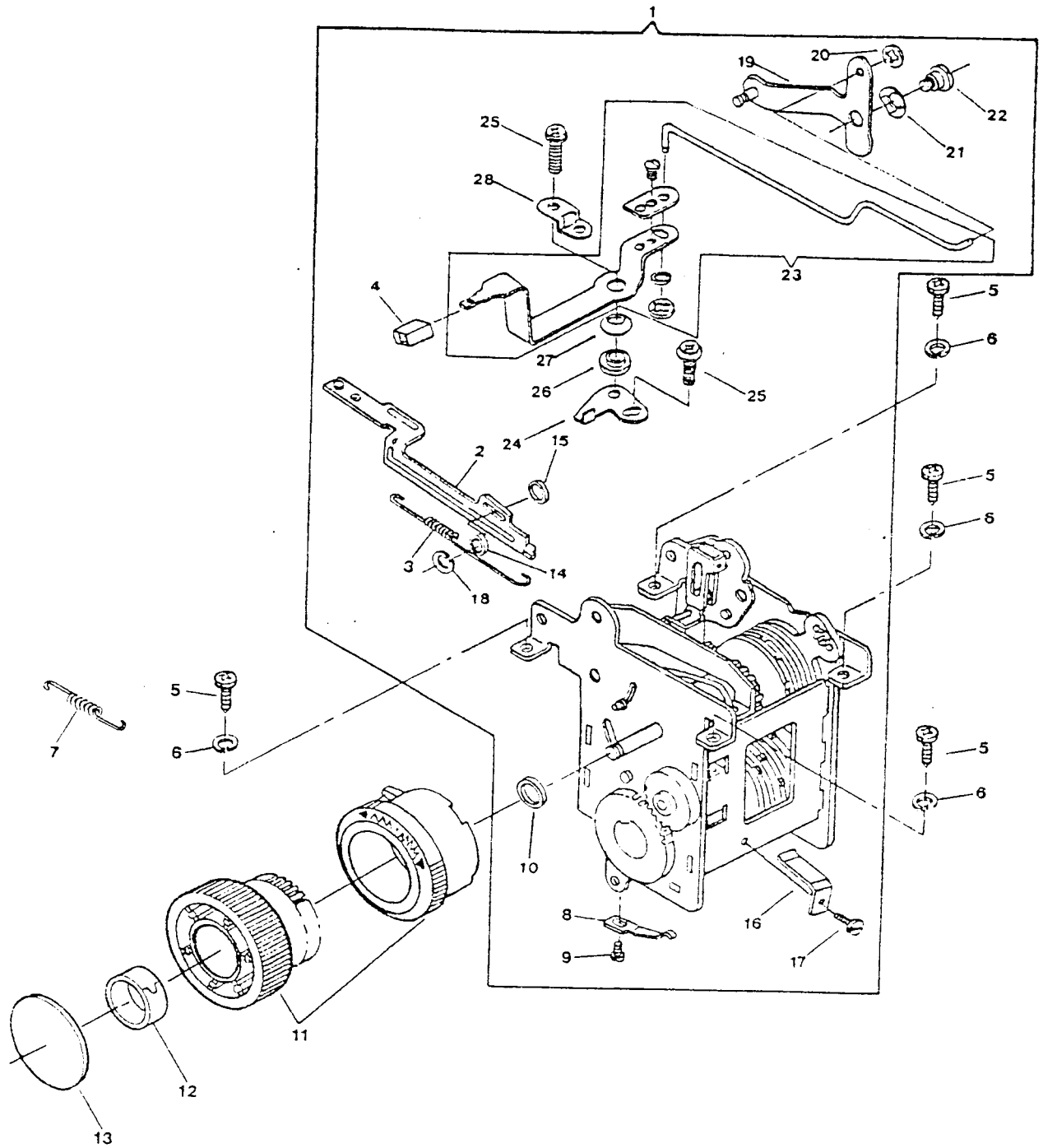
HOOK AND BOBBIN WINDING SYSTEM (CENTAUR)
MODEL: 7037

REF. NO.	PART NO.	DESCRIPTION
1	312956	BOBBIN
2	314662	ROTATING HOOK BOBBIN CASE COMPL. (USED WITH 314025)
3	354973-451	ROTATING HOOK THREAD PULL-OFF INSERT SCREW
4	312966	ROTATING HOOK THREAD PULL-OFF
5	313155	ROTATING HOOK BOBBIN DRIVER CLUTCH SPRING ASSEMBLY
6	312967	ROTATING HOOK BOBBIN DRIVER BUSHING
7	313124	ROTATING HOOK BOBBIN DRIVER SHAFT CLUTCH SPRING
8	312968	ROTATING HOOK BOBBIN DRIVER BUSHING RETURN SPRING
9	313183-002	ROTATING HOOK ASSEMBLY
10	313945-451	ROTATING HOOK BOBBIN CASE POSITION PLATE SCREW NUT
11	313190-451	ROTATING HOOK BOBBIN CASE POSITION PLATE SCREW WASHER
12	113439-451	ROTATING HOOK BOBBIN CASE POSITION PLATE SCREW
13	312738	ROTATING HOOK BOBBIN CASE POSITION PLATE
14	313068	BED SLIDE POSITIONER
15	354891-451	ROTATING HOOK BOBBIN CASE RETAINING PLATE ADJUSTING SCREW
16	313088	ROTATING HOOK BOBBIN CASE RETAINING PLATE COMPLETE
17	313930	ROTATING HOOK BOBBIN CASE RETAINING PLATE RETURN SPRING
18	314072	ROTATING HOOK BOBBIN CASE RETAINING PLATE SPRING
19	313190-451	ROTATING HOOK BOBBIN CASE POSITION PLATE SCREW WASHER
20	312702	ROTATING HOOK BOBBIN CASE RETAINING PLATE SPRING RETAINING RING
21	314049	ROTATING HOOK FLANGED BUSHING THRUST WASHER
22	312847	ROTATING HOOK FLANGED BUSHING WASHER
23	314012	ROTATING HOOK BEVEL GEAR COMPLETE
24	544207-012	ROTATING HOOK BEVEL GEAR (PLASTIC) SET SCREW
25	354929-451	BED SLIDE ACTUATING LEVER STUD SCREW
26	313956	BED SLIDE ACTUATING LEVER ASSEMBLY
27	544207-011	ROTATING HOOK BEVEL GEAR SET SCREW

HOOK AND BOBBIN WINDING SYSTEM (CENTAUR)



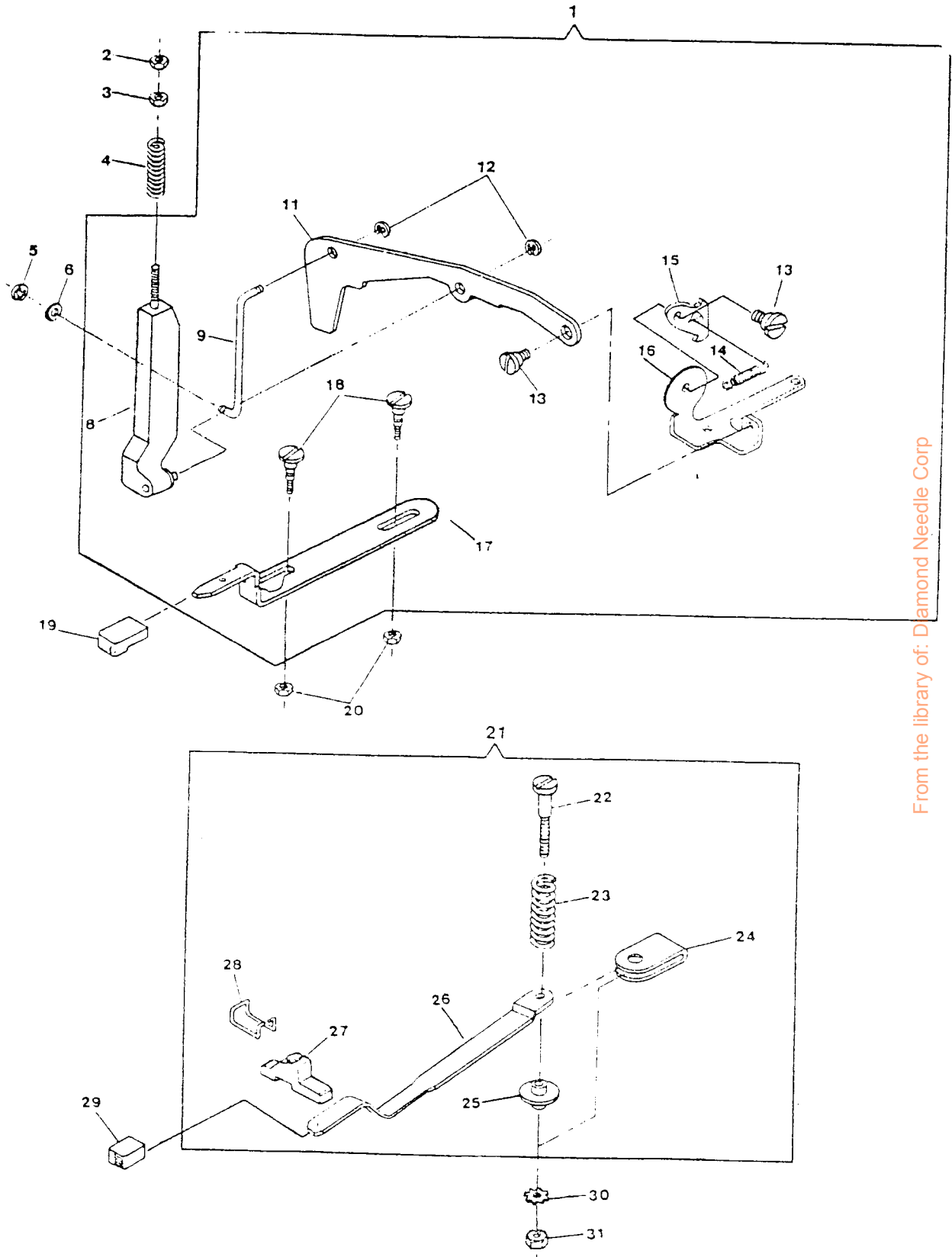
PATTERN STITCH LENGTH CONTROL AND CAM CONTROLLED FEED



PATTERN, STITCH LENGTH CONTROL & CAM CONTROLLED FEED
MODEL:7037

REF. PART NO.	PART NO.	DESCRIPTION
1	314601-004	PATTERN SELECTOR MODULE
2	314492	NEEDLE BAR DRIVING ARM
3	313053	NEEDLE BAR DRIVING ARM RETURN SPRING
4	314676-454	BIGHT AMPLITUDE CONTROL LEVER KNOB (PLASTIC) (USA & CANADA)
5	113455-001	DISC SELECTOR MECHANISM MOUNTING PLATE SCREW (LEFT & RIGHT)
6	314013-451	DISC SELECTOR MECHANISM MOUNTING PLATE SCREW (LEFT & RIGHT) LOCK WASHER
7	314497	NEEDLE BAR DRIVING ARM SLIDE POSITIONING SPRING
8	313113	PATTERN SELECTOR INDICATOR DETENT SPRING
9	354899-451	PATTERN SELECTOR INDICATOR DETENT SCREW
10	314153	PATTERN SELECTOR KNOB SPACER
11	314239-452	PATTERN SELECTOR KNOB AND STITCH BALANCE KNOB
12	313535	PATTERN SELECTOR KNOB COMPRESSION RING
13	314744-469	PATTERN SELECTOR KNOB TRIM PLATE
14	314493	STITCH WIDTH CONTROL BRACKET WASHER (FRONT)
15	314494	STITCH WIDTH CONTROL BRACKET WASHER (BACK)
18	314502	BIGHT AMPLITUDE CONTROL BRACKET RETAINING RING
19	314603	BIGHT AMPLITUDE CONTROL BRACKET ASSEMBLY
20	314606	BIGHT AMPLITUDE CONTROL ROD RETAINING RING (LEFT)
21	312874-451	BIGHT AMPLITUDE CONTROL LEVER WASHER
22	354875-451	BIGHT AMPLITUDE CONTROL BRACKET PIVOT SCREW
23	314607	BIGHT AMPLITUDE CONTROL LEVER ASSEMBLY
24	314610	BIGHT AMPLITUDE CONTROL LEVER STOP
25	113455-014	BIGHT AMPLITUDE CONTROL LEVER STOP ADJUSTMENT SCREW
26	314611	BIGHT AMPLITUDE CONTROL LEVER SHOULDER WASHER
27	353457	BIGHT AMPLITUDE CONTROL LEVER FRICTION WASHER
28	314683	BIGHT AMPLITUDE CONTROL LEVER RETAINER

PATTERN STITCH LENGTH CONTROL AND CAM CONTROLLED FEED (CONT.)



From the library of: Diamond Needle Corp

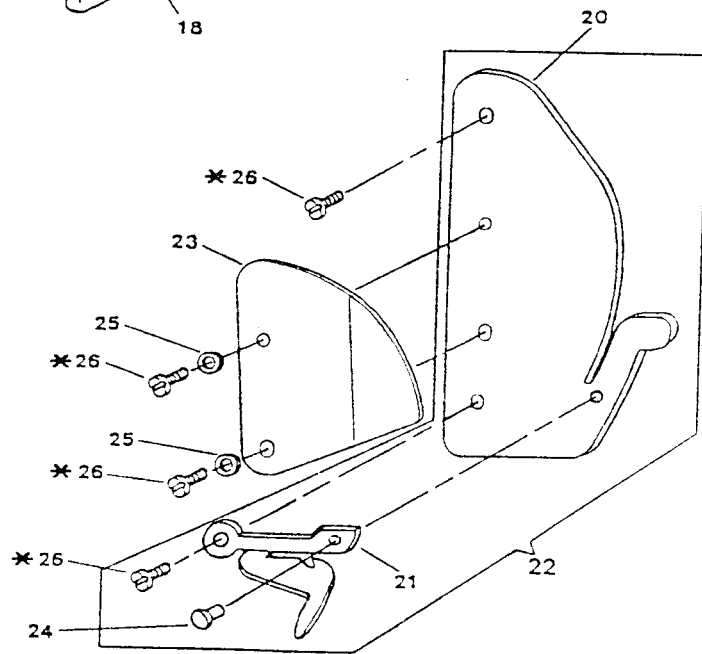
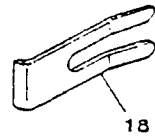
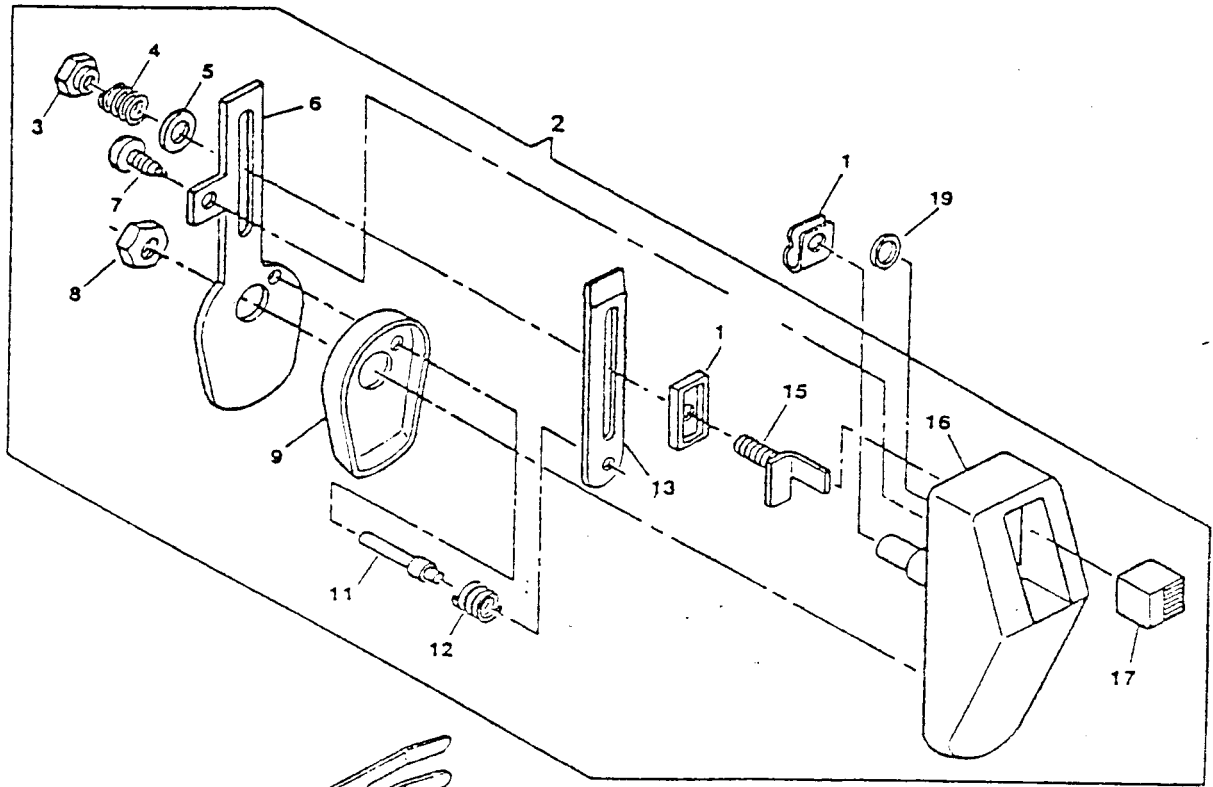
PATTERN, STITCH LENGTH CONTROL & CAM CONTROLLED FEED (CONT.)
MODEL:7037

REF. PART NO.	PART NO.	DESCRIPTION
1	314300-001	FEED REVERSE MECHANISM
2	514674-451	CAM CONTROLLED FEED CONNECTING ROD LOCKING NUT
3	312645-451	CAM CONTROLLED FEED DISC FOLLOWER ACTUATOR CONNECTING ROD ADJUSTING NUT
4	313143	CAM CONTROLLED FEED DISC FOLLOWER ACTUATOR CONNECTING ROD SPRING
5	312702	FEED LEVER CONNECTING LINK RETAINING RING
6	313891	CAM CONTROLLED FEED CONNECTING ROD STABILIZING WASHER
8	314549	CAM CONTROLLED FEED DISC FOLLOWER ACTUATOR CONNECTING ROD
9	313057	FEED LEVER CONNECTING LINK
11	314283	STITCH LENGTH CONTROL ARM
12	312702	CAM CONTROLLED FEED DISC FOLLOWER ACTUATOR CONNECTING ROD RETAINING RING
13	354958-451	REVERSE FEED LEVER PIVOT SCREW
14	314282	REVERSE FEED CRANK SPRING
15	314281	REVERSE FEED CRANK
16	314279-900	REVERSE FEED LEVER MOUNTING BRACKET
17	314280	REVERSE FEED CONTROL LEVER
18	113499-451	REVERSE FEED CONTROL LEVER & LATCH SCREW
19	312657-454	REVERSE FEED CONTROL LEVER KNOB (PLASTIC) (USA & CANADA)
20	514674-451	REVERSE FEED CONTROL LEVER GUIDE SCREW NUT
21	313569	STITCH LENGTH CONTROL LEVER ASSEMBLY
22	113356-451	STITCH LENGTH CONTROL LEVER PIVOT SCREW
23	313567	STITCH LENGTH CONTROL LEVER SPRING
24	313566	STITCH LENGTH CONTROL FRICTION WASHER
25	313565-451	STITCH LENGTH CONTROL LEVER NUT
26	312663	STITCH LENGTH CONTROL LEVER
27	313960	STITCH LENGTH CONTROL LEVER CAM ASSEMBLY
28	313188	STITCH LENGTH CONTROL LEVER CAM RETAINING CLIP
29	312664-454	STITCH LENGTH CONTROL LEVER KNOB (PLASTIC) (USA & CANADA)
30	313172-451	STITCH LENGTH CONTROL LEVER PIVOT LOCK WASHER
31	313177-451	STITCH LENGTH CONTROL LEVER NUT

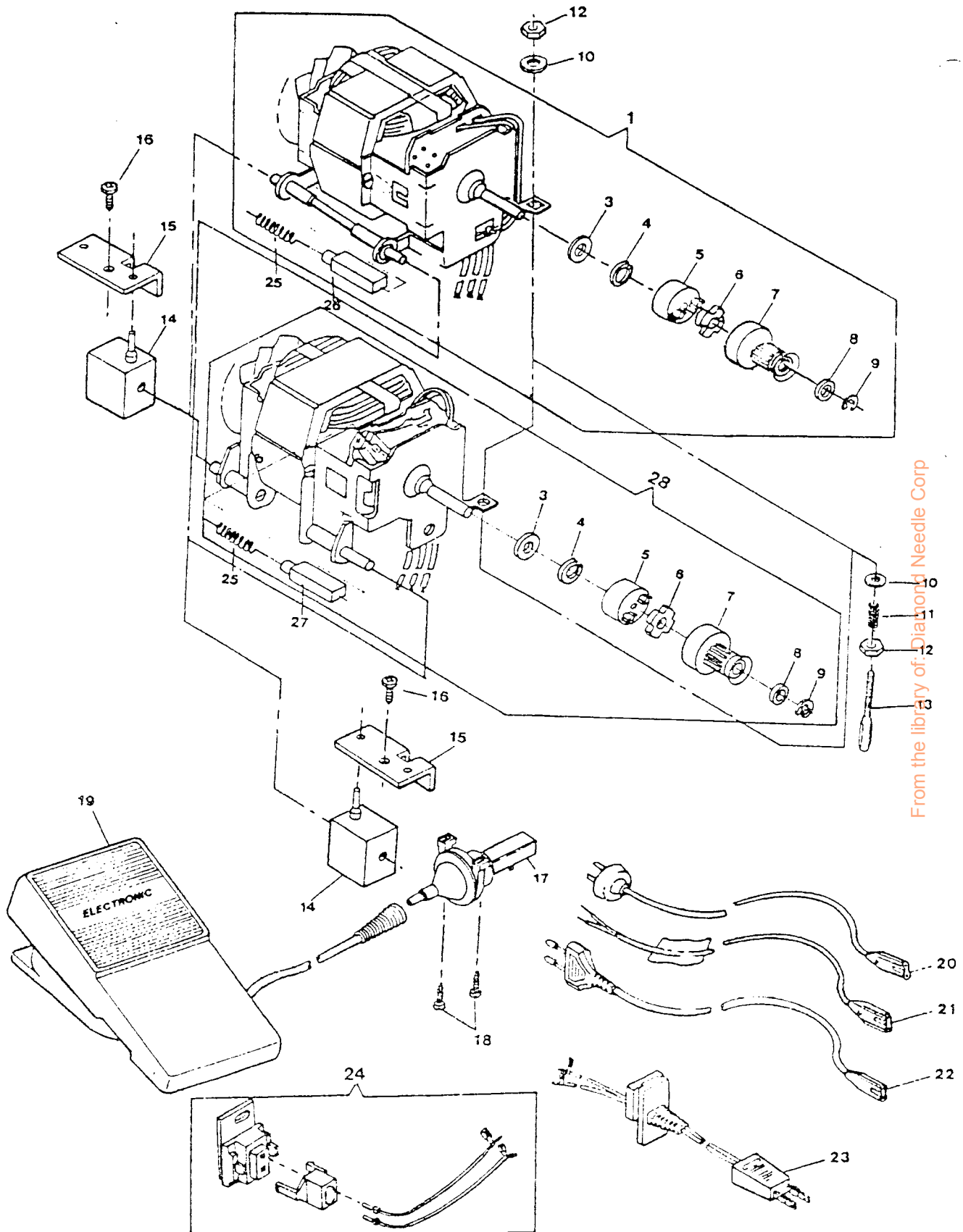
DEMAND RESPONSIVE NEEDLE TENSION SYSTEM
MODEL:7037

REF. PART NO. NO.	DESCRIPTION
1 313199	TENSION COVER MOUNTING RETAINER
2 313077-008	THREAD TENSION MODULE
3 314299-451	TENSION REGULATOR LEVER STUD NUT
4 312708	TENSION SPRING
5 312710	TENSION SPRING WASHER
6 314002	TENSION MOUNTING PLATE SUB-ASSEMBLY TAKE-OFF
7 113442-003	TENSION COVER MOUNTING SCREW
8 53641	TENSION COVER RETAINING STUD NUT
9 312703	TENSION DISC
9 313403	TENSION DISC (ALTERNATE TO 312703)
11 312705	TENSION RELEASE PIN
12 314005	PRE-TENSION SPRING
13 312707	TENSION LEVER
13 313904	TENSION LEVER (ALTERNATE)
14 313048	TENSION REGULATING LEVER SLIDE BLOCK
15 312946	TENSION REGULATING LEVER ASSEMBLY
16 313015-001	TENSION COVER ASSEMBLY
17 312664-454	TENSION REGULATING KNOB
18 313047	TENSION COVER RETAINING CLIP
19 314309	TENSION COVER SPACER (UPPER)
20 314697-900	THREAD WEAR PLATE (CENTAUR)
21 314687-900	THREAD GUIDE
22 314698	THREAD TAKE-UP WEAR PLATE ASS'Y (CENTAUR)
23 314690	THREAD PINCH PLATE
24 314686-900	THREAD GUIDE RIVET
25 317166	PINCH PLATE MOUNTING SCREW WASHER
26 113524-451	MOUNTING SCREW

DEMAND RESPONSIVE NEEDLE TENSION SYSTEM



ELECTRICAL EQUIPMENT



From the library of: Diamond Needle Corp

ELECTRICAL EQUIPMENT
MODEL:7037

REF. NO.	PART NO.	DESCRIPTION
1	988529-009	MOTOR COMP. (CAT. NO. TA4-8) 120 VOLT (NATIONAL MOTOR)
1	988529-010	MOTOR COMP. (CAT. NO. TA4-11) 220/240 VOLT (NATIONAL MOTOR)
3	931744-001	SPACER WASHER (AS REQUIRED)
3	931744-002	SPACER WASHER (AS REQUIRED)
3	931744-003	SPACER WASHER (AS REQUIRED)
3	931744-103	SPACER WASHER (AS REQUIRED)
4	603908-001	RETAINING RING
5	988738-002	MOTOR PULLEY ISOLATOR HUB
6	988795-001	MOTOR PULLEY TORQUE CUSHION
7	979124-001	PULLEY WITH BELT RETAINER
8	988717-001	WASHER
9	619279-902	MOTOR PULLEY ISOLATOR HUB RETAINING RING
10	37969	MOTOR ADJUSTING STUD NUT WASHER
11	314058	MOTOR BELT TENSION SPRING
12	53646	MOTOR ADJUSTING STUD NUT
13	988653-001	MOTOR ADJUSTING STUD
14	979329-001	RESILIENT MOUNT
15	988651-001	CLIP
16	113470-004	MOTOR MOUNTING SCREW
17	988549-005	PNEUMATIC TRANSDUCER
18	113444-003	PNEUMATIC TRANSDUCER MOUNTING SCREW
19	988667-001	PNEUMATIC CONTROLLER ASSEMBLY
20	988638-004	APPLIANCE COUPLER FOR AUSTRALIA (BICENTENNIAL)
21	988638-003	APPLIANCE COUPLER (240 VOLT) FOR U.K.
22	988638-001	APPLIANCE COUPLER (220 VOLT) FOR EUROPE
23	988557-001	CORD W/STRAIN RELIEF AND PLUG (120 VOLT) FOR U.S./CANADA
24	988657-003	CORD WITH RECEPTACLE (EUROPE/U.K./AUSTRALIA/JAPAN)
25	619436-001	BRUSH SPRING (2)
26	619435-013	MOTOR BRUSH (2) (FOR NATIONAL MOTOR)
27	619435-015	MOTOR BRUSH (2) (FOR ITU MOTOR)
28	988529-009	MOTOR COMP. (CAT. NO. TA4-8) 120 VOLT (ITU MOTOR)
28	988529-010	MOTOR COMP. (CAT. NO. TA4-11) 220/240 VOLT (ITU MOTOR)

ELECTRICAL EQUIPMENT (CONT.)
MODEL:7037

REF. NO.	PART NO.	DESCRIPTION
1	314596-001	LINT AND HEAT SHIELD ASSEMBLY (220/240V)
2	979203-002	LIGHT ASSEMBLY (EUROPE) (220V)
2	979203-003	LIGHT ASSEMBLY (AUSTRALIA) (240V) (BICENTENNIAL)
3	540899	TY-WRAP SELF-LOCKING (ALT: 605600-001)
4	979203-001	LAMP SOCKET (120V) (US/CANADA)
5	314596-003	LINT AND HEAT SHIELD ASSEMBLY (120V)
6	446138	HEAT SHIELD MOUNTING SCREW WASHER
7	544211-002	HEAT SHIELD MOUNTING SCREW
8	194120-021	LIGHT BULB (240 VOLT) (ALT: 542656-004) (BICENTENNIAL)
8	194120-020	LIGHT BULB (220 VOLT) (ALT: 542656-003)
8	194120-019	LIGHT BULB (120 VOLT) (ALT: 542656-005)
9	113445-003	THREAD TAKE-UP COVER AND LINT/HEAT SHIELD SCREW
10	988547-002	WASHER
11	113444-001	SCREW (P. C. BOARD MOUNTING)
12	979506-007	SWITCH OPERATOR (120 VOLT)
12	988548-002	SWITCH OPERATOR (220/240 VOLTS)
13	988547-001	WASHER
14	979123-004	SPEED CONTROL P. C. BOARD ASSEMBLY 120 VOLT (FULL WAVE)
14	979120-005	SPEED CONTROL P. C. BOARD ASSEMBLY 220/240 VOLTS (FULL WAVE)
14	979161-003	SPEED CONTROL P. C. BOARD ASSEMBLY 100 VOLT (FULL WAVE)
14	979192-005	SPEED CONTROL P. C. BOARD ASSEMBLY 220/240 VOLTS (FULL WAVE)
15	113455-001	SCREW (LIGHT HARNESS)
16	604690-001	SELF-LOCKING NYLON CABLE TIE (LIGHT HARNESS)

ELECTRICAL EQUIPMENT (CONT.)

